



# 偉同科技股份有限公司

WAYTON TECHNOLOGY CO.,LTD.



### 3. General specifications

#### 3.1 General specifications

It is a color active matrix TFT (Thin Film Transistor) liquid crystal display (LCD) that uses the amorphous silicon TFT as a switching devices. This model is composed of a Transmissive type TFT-LCD Panel, a driver circuit and a back-light unit.

#### 3.2 Features

- High image quality a-Si TFT LCD module.
- 16.7M color number.
- High contrast, high brightness.
- Low power consumption.

### 4. Mechanical data

No	Item	Specification	Remark
1	Type	Transmissive	--
2	Display Mode	Normally white	--
3	Pixel Element	a-Si TFT	--
4	Screen Size	4.3inch	--
5	Resolution	480(RGB) x 800	--
6	Active Area	56.16 (W) x 93.6(H) (mm)	--
7	Pixel Size	0.117 x 0.117 (mm)	--
8	Color Arrangement	RGB-stripe	--
9	Assembly Type	COG	--
10	Back Light	LED	--
11	Gray Scale Inversion Direction	12 o'clock	--
12	Good Viewing Direction	6 o'clock	--
13	Weight	TBD	g
14	Module Dimension	60.66(W) x 104.25 (H) x 2.29(D) (mm)	--

## 6. Electrical characteristics

### 6.1 TFT-LCD Module

Ta=25°C

Item	Symbol	Min.	Typ.	Max.	Unit	Remark
Power Supply for Analog System	VCI	2.5	2.8	3.6	V	--
Power Supply for I/O Block	IOVCC	1.65	1.8	3.6	V	--
Logic Supply Current	IDD	--	TBD	--	mA	--
Hight level input voltage	VIH	0.7 IOVCC	--	IOVCC	V	--
Low level input voltage	VIL	-0.3	--	0.3 IOVCC	V	

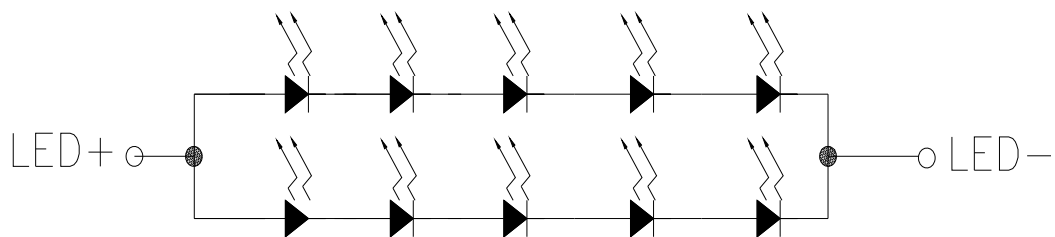
### 6.2 Back-Light Unit

Ta=25°C

Item	Symbol	Min.	Typ.	Max.	Unit	Remark
Forward Voltage	V <sub>LED</sub>	13.5	15.3	17	V	--
Forward current	I <sub>LED</sub>	--	40	--	mA	--
Life Time	Lf	20,000	--	--	hrs	NOTE(1)

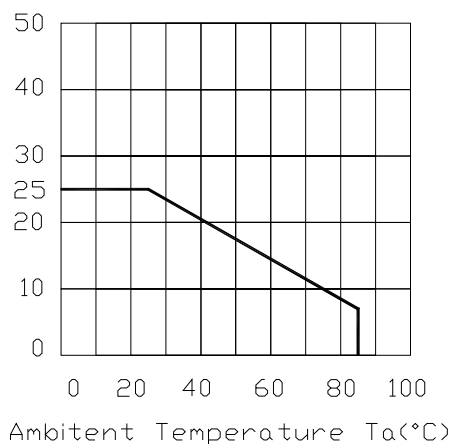
NOTE(1): The "LED life time" is defined as the module brightness decreases to 50% of original brightness that the ambient temperature is 25°C and I<sub>LED</sub>=40mA. The LED lifetime could be decreased if operating I<sub>LED</sub> is lager than 40mA.

NOTE(2): Back-light circuit :

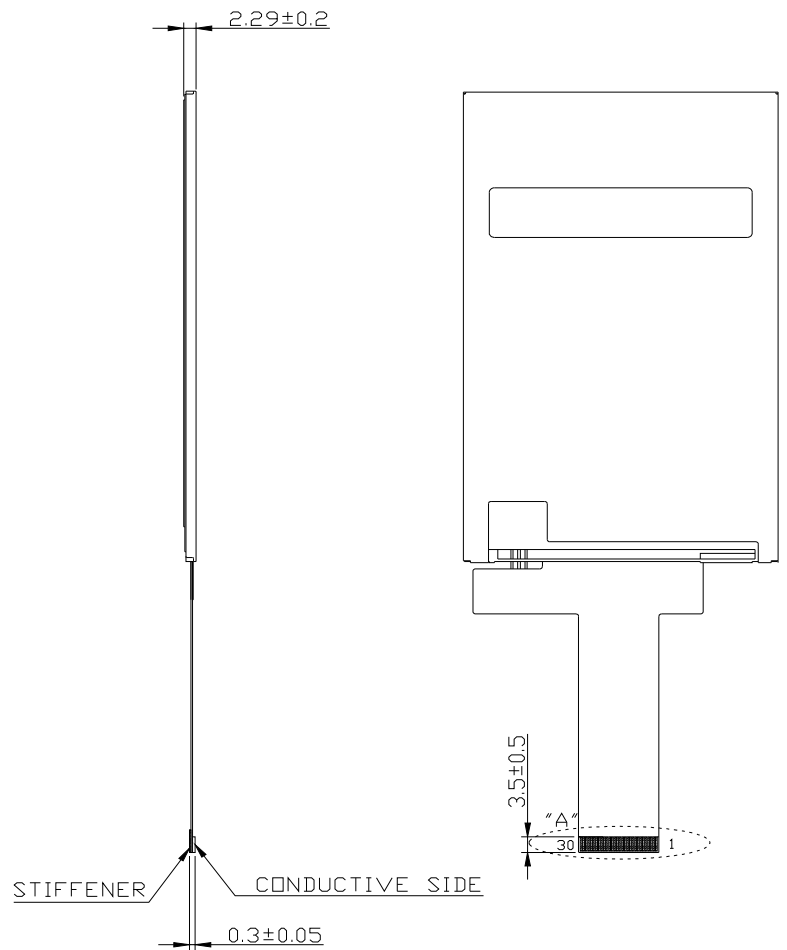
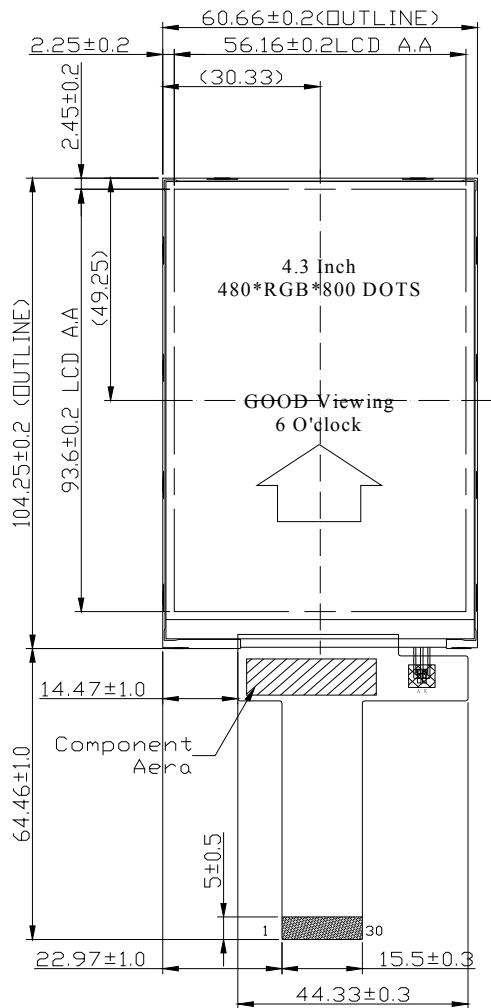


NOTE(3): Current reduction rate of LED backlight is according to the graph indicated below :

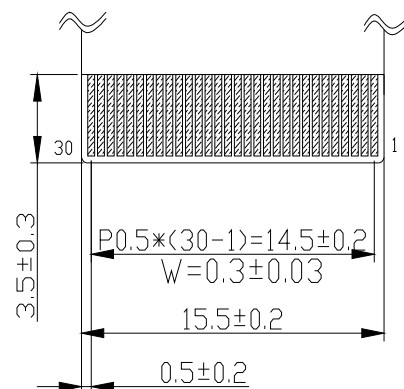
Allowable Forwade Currect



## 8. Outline dimension



Detail "A":



NOTE:

1.UNIT:mm

2.SCALE:NTS

## 10. Input Terminal Pin Assignment

### 10.1 Input Signal & Power(LCM)

Pin no	Symbol	Description	Remark
1	VLED+	LED Anode	Power
2	VLED-	LED Cathode	Power
3	VCI	Power Supply for 2.8v	Power
4	IOVCC	I/O Power Supply for 1.8v	Power
5	GND	Power Ground	Power
6	RxCLK+	CLK Lane P	Input
7	RxCLK -	CLK Lane N	Input
8	GND	Power Ground	Power
9	Rxin0-	Data Lane 0N	Input
10	Rxin0+	Data Lane 0P	Input
11	GND	Power Ground	Power
12	Rxin1-	Data Lane 1N	Input
13	Rxin1+	Data Lane 1P	Input
14	GND	Power Ground	Power
15	NC	No connection	-
16	NC	No connection	-
17	GND	Power Ground	Power
18	NC	No connection	-
19	NC	No connection	-
20	GND	Power Ground	Power
21	TE	Tearing Effect Output	Output
22	NC	No connection	-
23	LCD_RSTN	Hardware global reset and low active	Input
24	GND	Power Ground	Power
25	GND	Power Ground	Power
26-30	NC	No connection	-