

Standard Catalog Products



Series 0900-CLIP

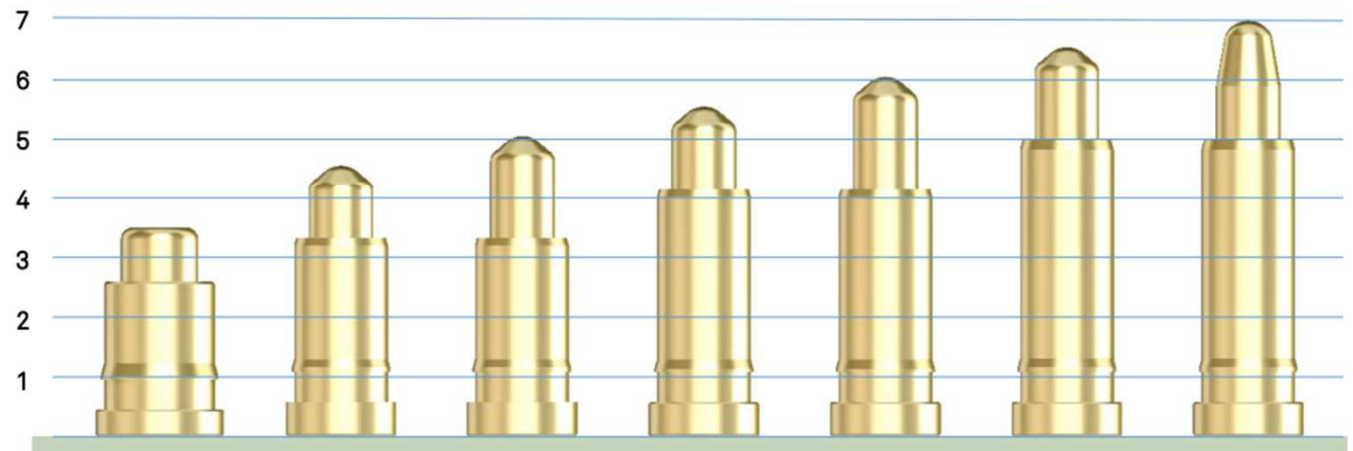
SMT Spring-Loaded Pins full range using CLIP Technology, High Reliability, High Performances, Top Quality

Product details :

- Rated current 5A with 30°C of temperature elevation
- Dynamic Contact Resistance: 20 mΩ
- Durability : 20'000 cycles

** Please contact Preci-Dip for specific technical details and when higher-performance is required*

90637-AS	0900-1-CLIP	0900-2-CLIP	0900-3-CLIP	0900-4-CLIP	0907-0-CLIP	0907-1-CLIP
Initial length: 3.50mm Initial force: 0.60N	Initial length: 4.55mm Initial force: 0.35N	Initial length: 5.05mm Initial force: 0.40N	Initial length: 5.55mm Initial force: 0.40N	Initial length: 6.05mm Initial force: 0.50N	Initial length: 6.55mm Initial force: 0.50N	Initial length: 7,00 mm Initial force: 0.50N
Working range: 3.33 – 2.7	Working range: 3.33 – 3.75	Working range: 4.85 – 4.00	Working range: 5.35 – 4.25	Working range: 5.80 – 4.60	Working range: 6.35 – 5.15	Working range: 6.85 – 5.45
Ø Ext. 2,12mm	Ø Ext. 1.83mm	Ø Ext. 1.83mm	Ø Ext. 1.83mm	Ø Ext. 1.83mm	Ø Ext. 1.83mm	Ø Ext. 1.83mm
	Available in T+R	Available in T+R	Available in T+R	Available in T+R	Available in T+R	Available in T+R
See drawing	See drawing	See drawing	See drawing	See drawing	See drawing	See drawing



Standard Catalog Products



Series 0900-CLIP

SMT Spring-Loaded Pins full range using CLIP Technology, High Reliability, High Performances, Top Quality

Product details :

- Rated current 5A with 30°C of temperature elevation
- Dynamic Contact Resistance: 20 mΩ
- Durability : 20'000 cycles

* Please contact Preci-Dip for specific technical details and when higher-performance is required

0907-2-CLIP	0907-3-CLIP	0907-4-CLIP	0907-5-CLIP	0907-6-CLIP	0907-7-CLIP	0907-8-CLIP	0907-9-CLIP
Initial length: 7,55 mm Initial force: 0,60N	Initial length: 8,05mm Initial force: 0.60N	Initial length: 8,55mm Initial force: 0.35N	Initial length: 9,05mm Initial force: 0.40N	Initial length: 9,55mm Initial force: 0.40N	Initial length: 10,05mm Initial force: 0.60N	Initial length: 10,55mm Initial force: 0.35N	Initial length: 11,05 mm Initial force: 0.6N
Working range: 7,35 – 5,95	Working range: 7,85 – 6,45	Working range: 8,35 – 6,95	Working rang: 8,85 – 7,65 (0.9N)	Working rang: 9,35 – 7,95 (1.0N)	Working rang: 9,85 – 8,45	Working rang: 10,35 – 8,95	Working rang: 10,85 – 9,45
Ø Ext. 1.83mm	Ø Ext. 1,83mm	Ø Ext. 1.83mm	Ø Ext. 1.83mm	Ø Ext. 1.83mm	Ø Ext. 1.83mm	Ø Ext. 1.83mm	Ø Ext. 1.83mm
Available in T+R	Available in T+R	Available in T+R	Available in T+R	Available in T+R	Available in T+R	See drawing	See drawing
See drawing	See drawing	See drawing	See drawing	See drawing	See drawing	See drawing	See drawing



Standard Catlog Connector

Series 811/813-CLIP



Full characteristics of Series 811/813-CLIP:

INSULATOR: Black glass filled polyester PCT-GF30-FR
 FLAMMABILITY: UL 94V-0
 DYNAMIC CONTACT RESISTANCE: 20mΩ
 OPERATING TEMPERATURE RANGE: -55/+125 ° C
 COPLANARITY SMD: 0.1 mm (on 25 mm long)
 DURABILITY: 20'000 cycles
 OPERATING CURRENT: Max 5 A

Replace NNN by number of poles, standard number of contacts: 2 to 20 contacts
 See table below for final ordering number according to height and working range specifications

AVAILABLE CONECTOR HEIGHTS				WORKING RANGE CHARACTERISTIC			
6XX Code	Initial Height A (mm)	Stroke (S)	Plastic Body Height B(mm)	Start height (H1)	Start Force (F1)	End Height (H2)	End force (H2)
675	4.5	0.6	2.95	4.35	0.45 N	3.75	0.85 N
676	5	0.85		4.85	0.5 N	4	0.90 N
677	5.5	1.1		5.35	0.57N	4.25	1.0N
678	6	1.4		5.8	0.57 N	4.4	1.0N
679	6.5	0.57 N	4	6.35	0.57 N	4.95	1.0 N
680	7			6.8		5.45	
681	7.5			7.3		5.95	
682	8			7.8		6.45	
683	8.5			8.3		6.95	

Example: For a 5.5 mm height connector, single row with 4 poles, ordering number will be: 811-SS-004-30-677101-CLIP.

Options available:

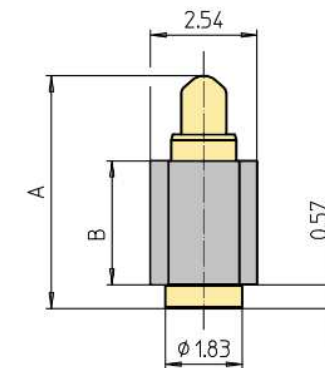
- Tape and reel on request; replace suffixes 101 by 191 at the end of the ordering number
- Other plating options on request ; Other pitch on request

ORDERING NUMBER

Single row:

Bulk: 811-SS-NNN-30-6XX101-CLIP

T&R: 811-SS-NNN-30-6XX191-CLIP



Double row:

Bulk: 813-SS-NNN-30-6XX101-CLIP

T&R: 813-SS-NNN-30-6XX191-CLIP

