

High Frequency Ceramic Solutions

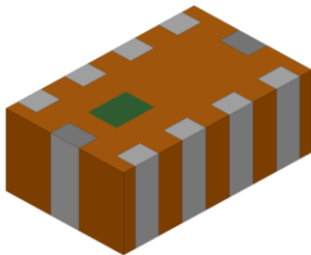
Miniature Impedance-Matched Filter for Semtech SX1261, SX1262, LLCC68 for 868MHz and 915MHz. Integrated Passive Component (IPC)

P/N 0900FM15K0039

Detail Specification: 3/16/2022

Page 1 of 4

General Specifications

Part Number	0900FM15K0039		
Frequency (MHz)	Tx (862 - 928)	Rx (862 - 928)	
Insertion loss (dB)	1.1 Typ. (1.4 max.)	1.5 Typ. (2.0 max.)	
Return Loss (dB)	10 min.		
Chipset-side Impedance (Ω)	Conjugate match to Semtech SX1261, SX1262, and LLCC68		
Antenna-side Impedance (Ω)	50		
Attenuation (dB)	20 min. @ 2Fo 40 min. @ 3Fo 40 min. @ 4Fo 30 min. @ 5Fo 20 min. @ 6Fo 15 min. @ 7Fo		For the full app note and layout files, go to: https://www.johansontechnology.com/semtech
Recommended Storage Conditions unused Product on T&R*	+5 to +35°C Humidity: 45-75%RH 18 months max. in vacuum sealed bag 1 week (cumulatively) after opening.		Power Capacity (W) 2 max. (CW) Operating Temperature -40 to +85°C Reel Quantity (pcs/reel) 4,000

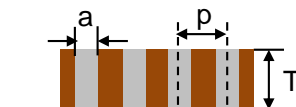
fa

Orderable Part Number Explanation

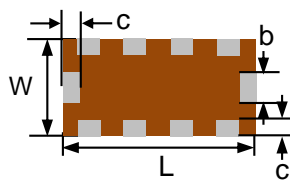
P/N Suffix	Packaging Style	Bulk (loose pcs.)	Suffix = S	E.g. 0900FM15K0039S
		T & R	Suffix = E	E.g. 0900FM15K0039E
	Termination Style	Ag	Suffix = None	E.g. 0900FM15K0039(E or S)

Mechanical Dimensions

	In	mm
L	0.079 ± 0.006	2.00 ± 0.15
W	0.049 ± 0.004	1.25 ± 0.10
T	0.031 ± 0.004	0.80 ± 0.10
a	0.010 ± 0.004	0.25 ± 0.10
b	0.012 ± 0.006	0.30 ± 0.15
c	0.008 +0.004/-0.006	0.20 +0.1/-0.15
p	0.020 ± 0.004	0.50 ± 0.10



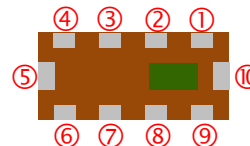
<Side View>



<Bottom View>

Terminal Configuration

Pin		Pin	
1	RFO / VR_PA	6	SW_RFI (Ant In)
2	GND	7	GND
3	RFL_N	8	SW_RFO (Ant Out)
4	RFL_P	9	GND
5	GND	10	GND



Johanson Technology, Inc. reserves the right to make design changes without notice.

All sales are subject to Johanson Technology, Inc. terms and conditions.



Ver. 1.1

<https://www.johansontechnology.com>

4001 Calle Tecate • Camarillo, CA 93012, USA • TEL +1.805.389.1166

2022 Johanson Technology, Inc. All Rights Reserved

High Frequency Ceramic Solutions

Miniature Impedance-Matched Filter for Semtech SX1261, SX1262, LLCC68 for 868MHz and 915MHz. Integrated Passive Component (IPC)

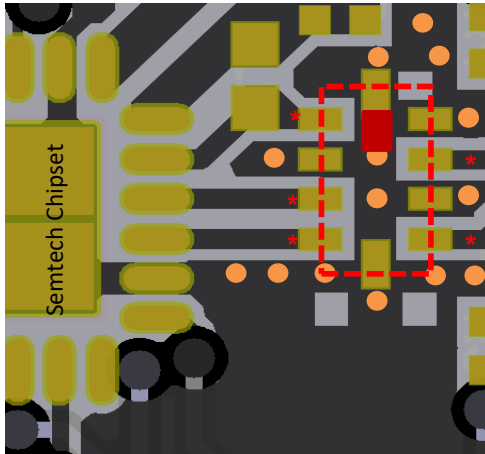
P/N 0900FM15K0039





Detail Specification: 3/16/2022

Page 2 of 4

Reference Layout

0900FM15K0039



-  Johanson IPC
-  Solder Resist
-  Land
-  GND Via (ϕ 0.2mm)

NOTE: GND via placement is crucial to the harmonic attenuation capability of the filter.

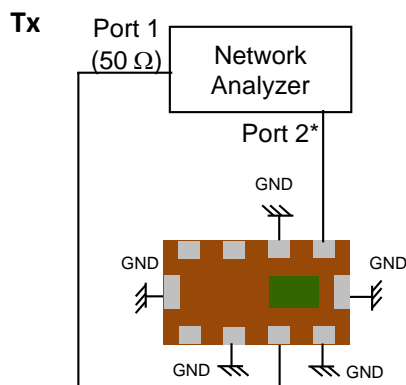
For gerber/layout files or a free layout review, contact our RF engineers directly at:
<https://www.johansontechnology.com/ask-a-question>

For App Notes, Reference Designs, and samples go to:
<https://www.johansontechnology.com/semtech>

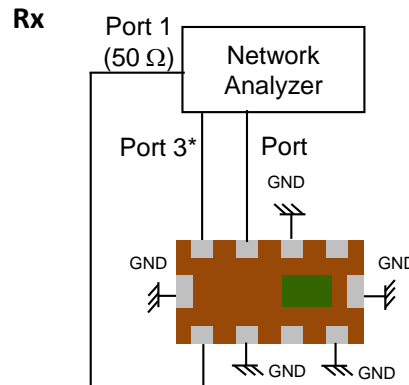
*Line width should be designed to maintain 50 Ω characteristic impedance, depending on PCB material and thickness.

fa

Measurement Schematic (For Mass Production and Passive RF characteristics)



Port 1: Antenna Port
 Port 1 Terminate impedance: 50 Ω
 Port 2: Tx Port
 *Port 2 Terminate impedance:
 Complex conjugate match to RFO impedance



Port 1: Antenna Port
 Port 1 Terminate impedance: 50 Ω
 Ports 2 and 3: Rx Balanced Port
 *Port 2 and 3 Terminate impedance:
 Complex conjugate match to RFI balanced impedance/2

Johanson Technology, Inc. reserves the right to make design changes without notice.
 All sales are subject to Johanson Technology, Inc. terms and conditions.



Ver. 1.1

<https://www.johansontechnology.com>

4001 Calle Tecate • Camarillo, CA 93012, USA • TEL +1.805.389.1166

2022 Johanson Technology, Inc. All Rights Reserved

High Frequency Ceramic Solutions

Miniature Impedance-Matched Filter for Semtech SX1261, SX1262, LLCC68 for 868MHz and 915MHz. Integrated Passive Component (IPC)

P/N 0900FM15K0039

Detail Specification: 3/16/2022

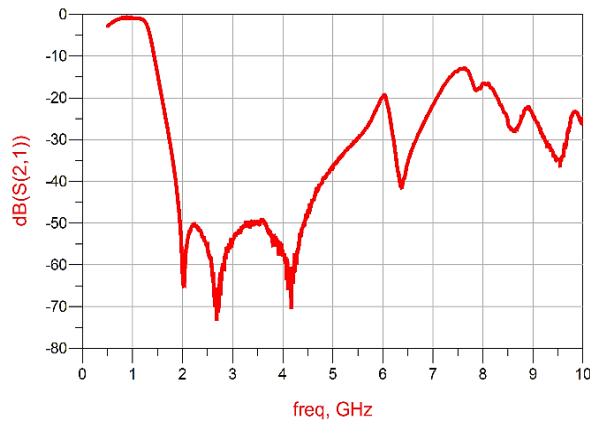
Page 3 of 4

Typical Electrical Characteristics (T=25°C)

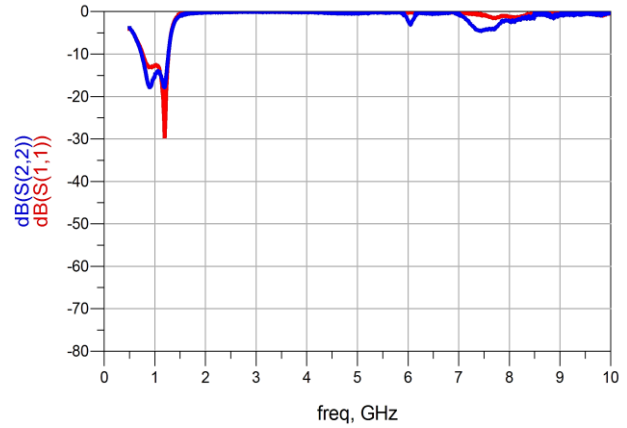
0900FM15K0039

Tx mode:

Insertion Loss



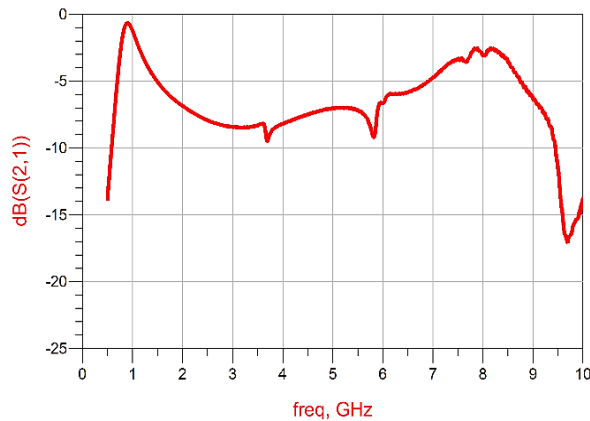
Return Loss



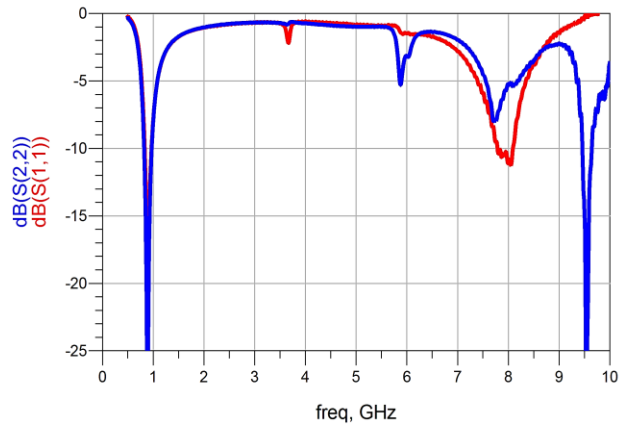
fa

Rx mode:

Insertion Loss



Return Loss



Johanson Technology, Inc. reserves the right to make design changes without notice.

All sales are subject to Johanson Technology, Inc. terms and conditions.



Ver. 1.0

<https://www.johansontechnology.com>

4001 Calle Tecate • Camarillo, CA 93012, USA • TEL +1.805.389.1166

2022 Johanson Technology, Inc. All Rights Reserved

High Frequency Ceramic Solutions

Miniature Impedance-Matched Filter for Semtech SX1261, SX1262, LLCC68 for 868MHz and 915MHz. Integrated Passive Component (IPC)

P/N 0900FM15K0039

Detail Specification: 3/16/2022

Page 4 of 4

Application Notes, Layout Files, and more

<https://www.johansontechnology.com/semtech>

Packaging information

<https://www.johansontechnology.com/tape-reel-packaging>

Soldering Information

<https://www.johansontechnology.com/ipcsoldering-profile>

Silver Termination Information

<https://www.johansontechnology.com/silverleads-profile>

MSL Info

<https://www.johansontechnology.com/msl-rating>

Recommended Storage Condition and Max Shelf Life

<https://www.johansontechnology.com/recommended-storage-conditions>

fa

<https://www.johansontechnology.com/technical-notes/rohs-compliance>

Antenna layout and tuning techniques

<https://www.johansontechnology.com/tuning>

Johanson uses 6/6 RoHS Green Low-Temperature-Co-fired-Ceramic (LTCC) integrated passive technology in a monolithic structure. This component is 100% RF Tested, making it a more reliable system, impedance controlled environment, consistent-guaranteed RF performance in a very small RF front end-solution compared to an L/C discrete solution.

Johanson Technology, Inc. reserves the right to make design changes without notice.
All sales are subject to Johanson Technology, Inc. terms and conditions.



Ver. 1.1

<https://www.johansontechnology.com>

4001 Calle Tecate • Camarillo, CA 93012, USA • TEL +1.805.389.1166

2022 Johanson Technology, Inc. All Rights Reserved