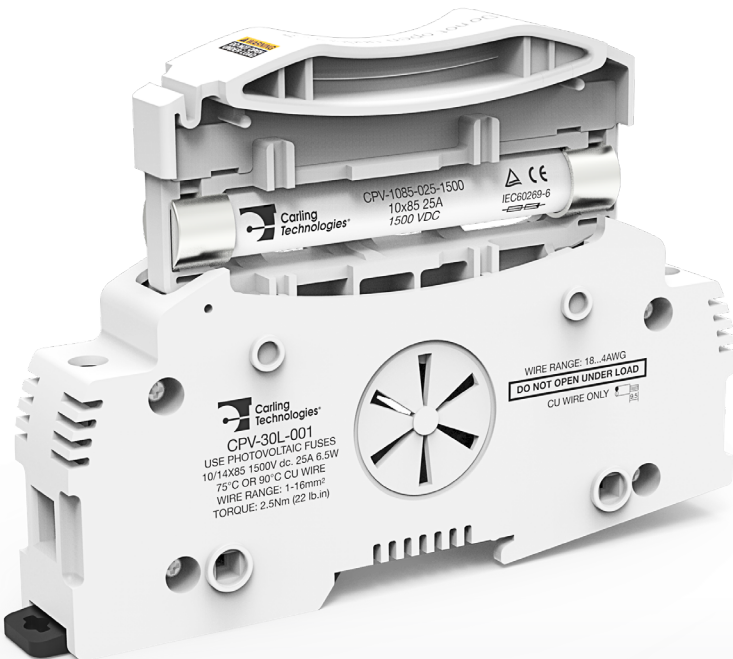
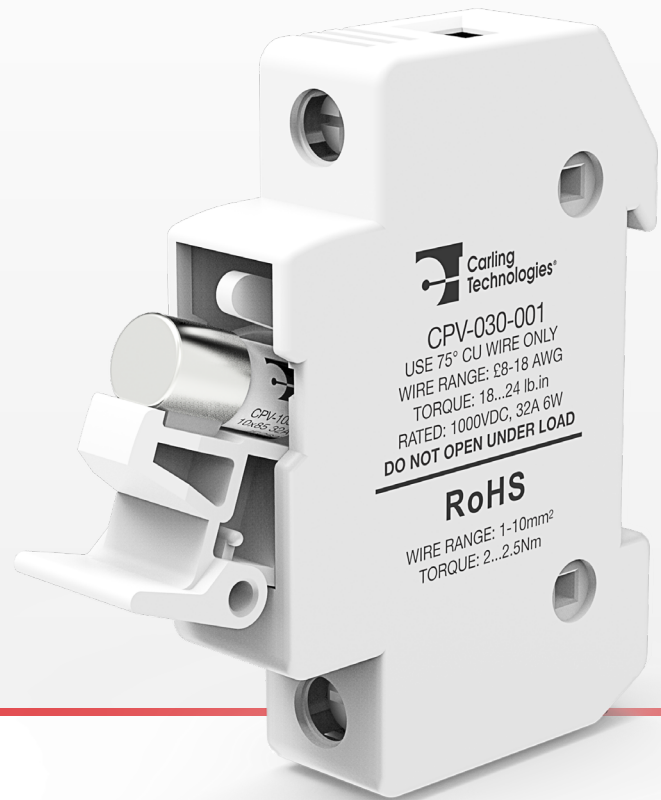


# CPV-Series

Din rail mountable fuse holders and links for photovoltaic applications

**PRODUCT WEBPAGE**

*request sample, configure part, watch video*



Designed for photovoltaic applications, the CPV-1038 and CPV-1085 offer high performance, reliable circuit protection solutions for installation into various system locations. These compact fuses are also ideal for isolating photovoltaic module strings during maintenance and require no fuse pullers or tools for fuse removal.

**CPV-1038**  
1000VDC, up to 32A

**CPV-1085**  
1500VDC, up to 30A

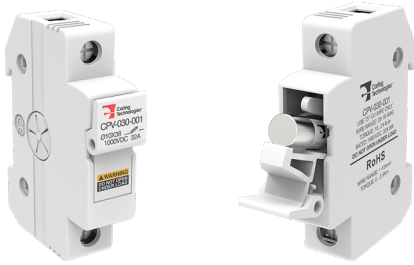
**20kA**  
rated capacity

## Typical Applications

- Photovoltaic Systems
- Combiner Boxes
- Inverters

# Tech Specs

## CPV-030 Fuse Holder



### Electrical

Current Rating	TUV: 32 Amps Max UL: 30 Amps Max
Voltage Rating	1000VDC Max
Rated Impulse Withstand	6kV
Voltage Uimp Conditional Short Circuit	20kA
Current Utilization Category	DC-PV0

### Environmental

Operating Temperature	-50°C to +90°C
Installation Site (Altitude)	2000 meters Max
Storage Temperature	-50°C to +90°C
Storage Requirement	Avoid Direct Sunlight

### Agency Approvals

TUV EN 60947-1:2007+A1+A2
TUV EN 60947-3:2009+A1+A2
UL 4248-1,-19

## CPV-1038 Fuse Link: 1000VDC, 1-32A



### Electrical

Rated Current	TUV: 1, 2, 3, 4, 5, 6, 8, 10, 12, 15, 16, 20, 25, 30, 32A UL: 2, 3, 4, 5, 6, 8, 10, 12, 15, 16, 20, 25, 30A
Voltage Rating	1000VDC Max
Power Dissipation	no more than 2.5W at 0.7In / no more than 4.5W at In
Rated Breaking Capacity	20kA
Arc Voltage Limits	3500 V (peak value)
Utilization Category	gPV

### Physical

Contact	Brass Alloy and Silver
Main "Fuse-Link"	Silver
Fuse-Tube	Porcelain
Arc Extinction Stuffing	Silicon Dioxide
Contact Surface Treatment	Silver Alloy

### Environmental

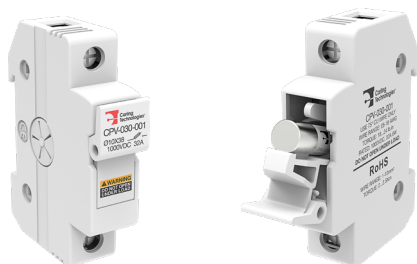
Operating Temperature	-50°C to +90°C
Installation Site (Altitude)	2000 meters Max
Storage Temperature	-50°C to +90°C
Storage Requirement	Avoid Direct Sunlight

### Agency Approvals

TUV EN 60947-1:2007+A1+A2
TUV EN 60947-3:2009+A1+A2
UL 248-1,-19

# Ordering Scheme

## CPV-030 Fuse Holder



Part No. CPV - 030 - 001

Selection 1 2 3

### 1. SERIES

**CPV** Carling Photovoltaic Fuse Holder

### 2. SIZE

**030** 10 x 38 mm (1000V Max Amps UL: 30, TUV: 32)

### 3. POLES

**001** 1 Pole

## CPV-1038 Fuse Link: 1000VDC, 1-32A



Sample Part No. CPV - 1038 - 032 - 1000

Selection 1 2 3 4

### 1. SERIES

**CPV** Carling Photovoltaic Fuse Link

### 2. SIZE

**1038** 10 x 38 mm

### 3. CURRENT RATING

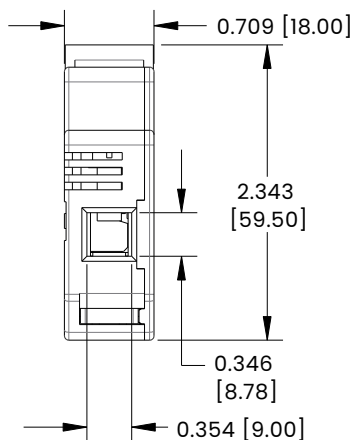
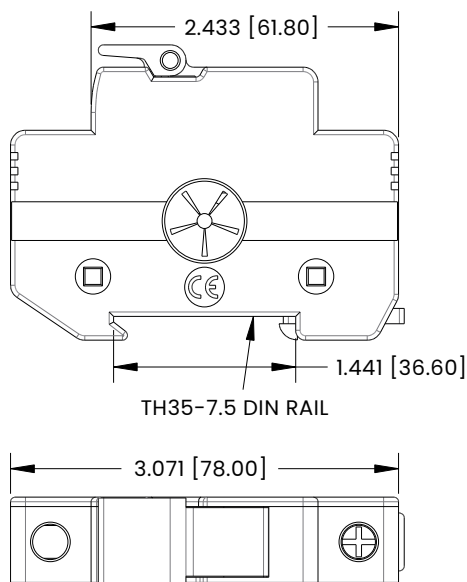
<b>001</b>	1 Amp	<b>006</b>	6 Amps	<b>016</b>	16 Amps
<b>002</b>	2 Amps	<b>008</b>	8 Amps	<b>020</b>	20 Amps
<b>003</b>	3 Amps	<b>010</b>	10 Amps	<b>030</b>	30 Amps
<b>004</b>	4 Amps	<b>012</b>	12 Amps	<b>032</b>	32 Amps
<b>005</b>	5 Amps	<b>015</b>	15 Amps		

### 4. VOLTAGE RATING

**1000** 1000 Volts

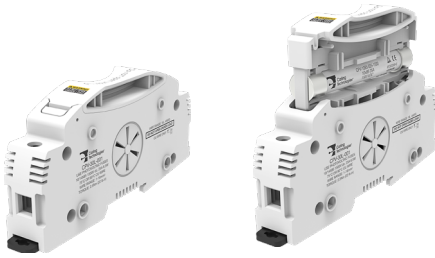
# Dimensional Specs

inches [millimeters]



# Tech Specs

## CPV-30L Fuse Holder



### Electrical

Current Rating	TUV: 25 Amps Max UL: 30 Amps Max
Voltage Rating	1500VDC Max
Rated Impulse Withstand	8kV
Voltage Uimp Conditional Short Circuit	20kA
Current Utilization Category	DC-PV0

### Environmental

Operating Temperature	-50°C to +90°C
Installation Site (Altitude)	2000 meters Max
Storage Temperature	-50°C to +90°C
Storage Requirement	Avoid Direct Sunlight

### Agency Approvals

TUV EN 60947-1:2007+A1+A2
TUV EN 60947-3:2009+A1+A2
UL 4248-1,-19

## CPV-1085 Fuse Link: 1500VDC, 2-30A



### Electrical

Rated Current	TUV: 2, 3, 4, 5, 6, 8, 10, 12, 15, 20, 25A UL: 2, 3, 4, 5, 6, 8, 10, 12, 15, 20, 25, 30A
Voltage Rating	1500VDC Max
Power Dissipation	no more than 3.52W at 0.7In/ no more than 6.56W at In
Rated Breaking Capacity	20kA
Arc Voltage Limits	5000 V (peak value)
Utilization Category	gPV

### Physical

Contact	Brass Alloy and Silver
Main "Fuse-Link"	Silver
Fuse-Tube	Porcelain
Arc Extinction Stuffing	Silicon Dioxide
Contact Surface Treatment	Silver Alloy

### Environmental

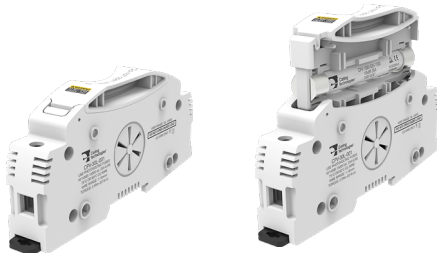
Operating Temperature	-50°C to +90°C
Installation Site (Altitude)	2000 meters Max
Storage Temperature	-50°C to +90°C
Storage Requirement	Avoid Direct Sunlight

### Agency Approvals

TUV EN 60947-1:2007+A1+A2
TUV EN 60947-3:2009+A1+A2
UL 248-1,-19

# Ordering Scheme

## CPV-30L Fuse Holder



Part No. **CPV - 30L - 001**

Selection 1 2 3

### 1. SERIES

**CPV** Carling Photovoltaic Fuse Holder

### 2. SIZE

**30L** 10 x 85 mm (1500V - Max Amps UL: 30, TUV: 25)

### 3. POLES

**001** 1 Pole

## CPV-1085 Fuse Link: 1500VDC, 2-30A



Sample Part No. **CPV - 1085 - 030 - 1500**

Selection 1 2 3 4

### 1. SERIES

**CPV** Carling Photovoltaic Fuse Link

### 2. SIZE

**1085** 10 x 85 mm

### 3. CURRENT RATING

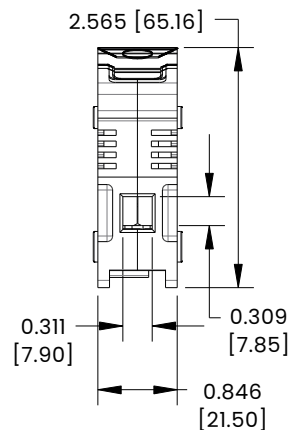
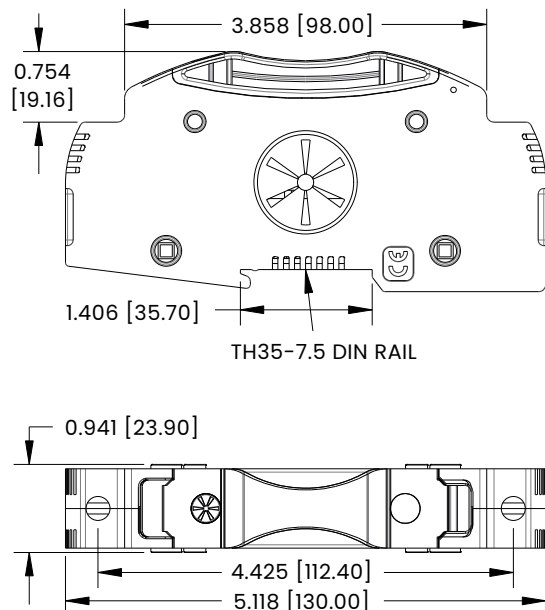
<b>002</b>	2 Amps	<b>006</b>	6 Amps	<b>015</b>	15 Amps
<b>003</b>	3 Amps	<b>008</b>	8 Amps	<b>020</b>	20 Amps
<b>004</b>	4 Amps	<b>010</b>	10 Amps	<b>025</b>	25 Amps
<b>005</b>	5 Amps	<b>012</b>	12 Amps	<b>030</b>	30 Amps

### 4. VOLTAGE RATING

**1500** 1500 Volts

# Dimensional Specs

inches [millimeters]



## Authorized Sales Representatives and Distributors

Click on a region of the map below to find your local representatives and distributors or visit [www.carlingtech.com/findarep](http://www.carlingtech.com/findarep).



## About Carling

Founded in 1920, Carling Technologies is a leading manufacturer of electrical and electronic switches and assemblies, circuit breakers, electronic controls, power distribution units, and multiplexed power distribution systems. With six ISO9001 and IATF16949 registered manufacturing facilities and technical sales offices worldwide, Carling Technologies Sales, Service and Engineering teams do much more than manufacture electrical components, they engineer powerful solutions! To learn more about Carling please visit [www.carlingtech.com/company-profile](http://www.carlingtech.com/company-profile).

To view all of Carling's environmental, quality, health & safety certifications please visit [www.carlingtech.com/environmental-certifications](http://www.carlingtech.com/environmental-certifications).